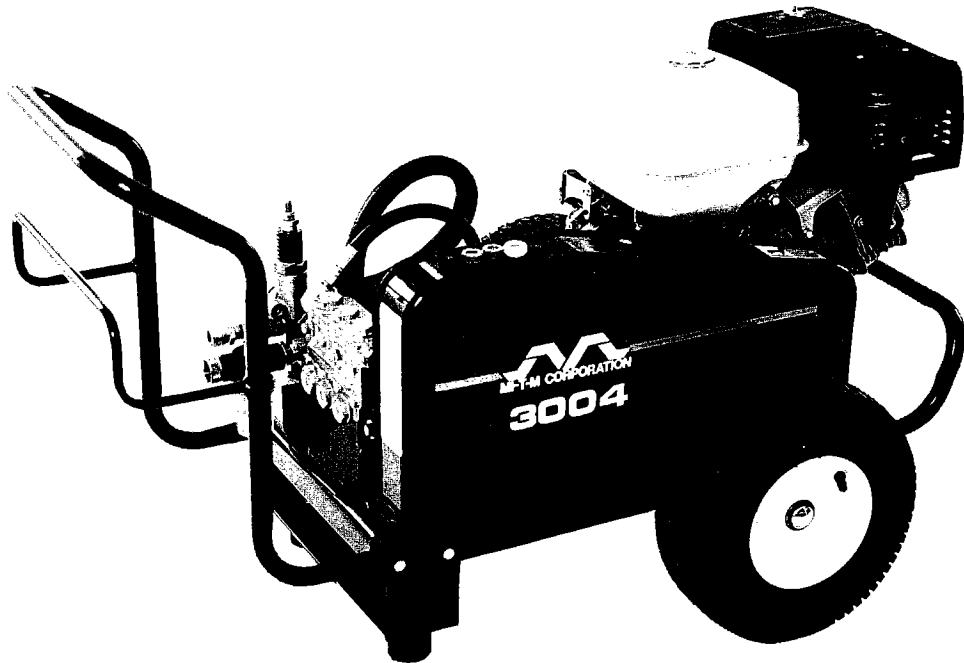
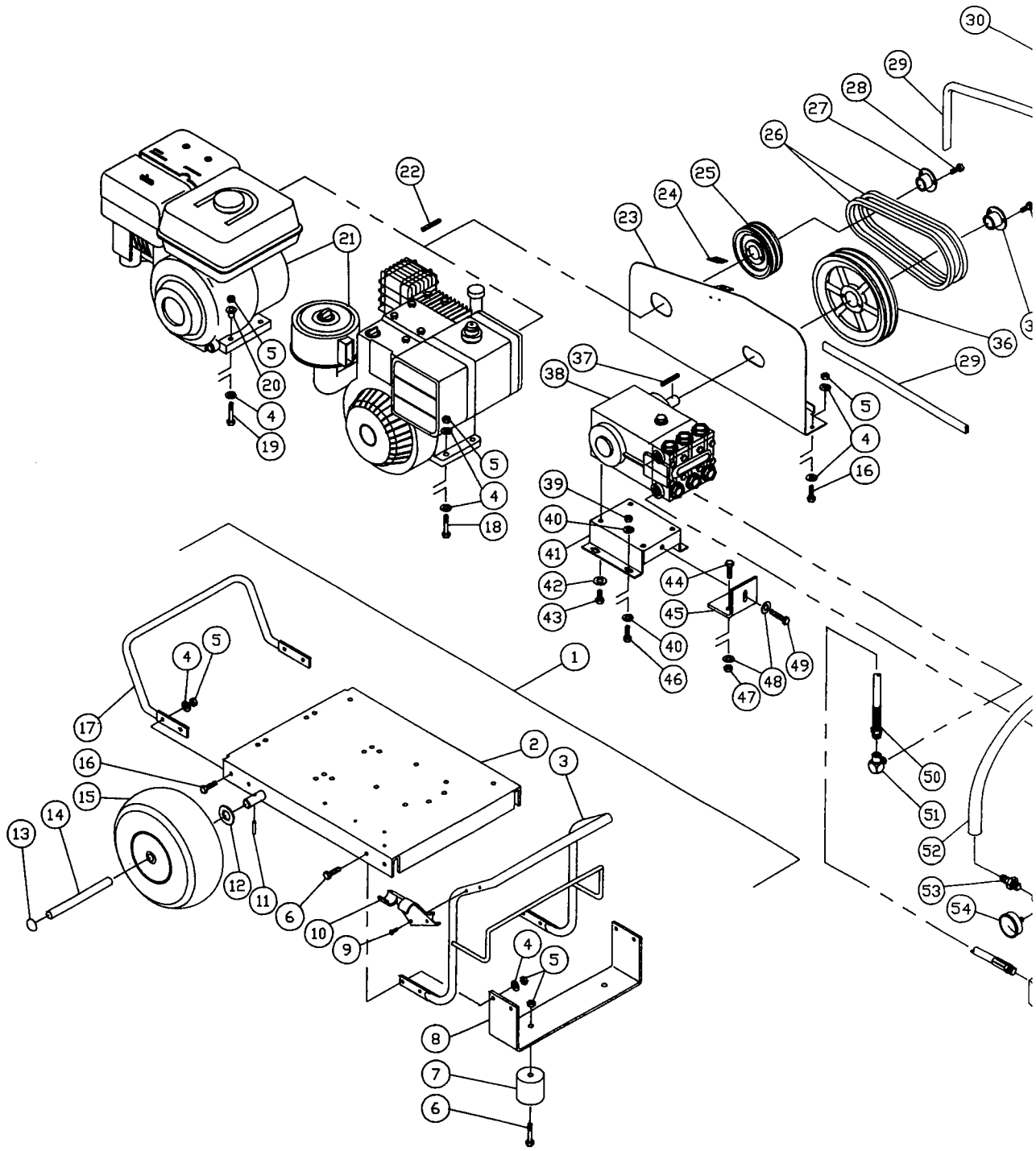


Mi-T-M[®] CORPORATION

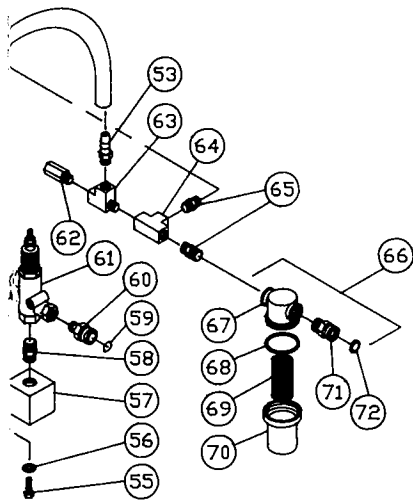
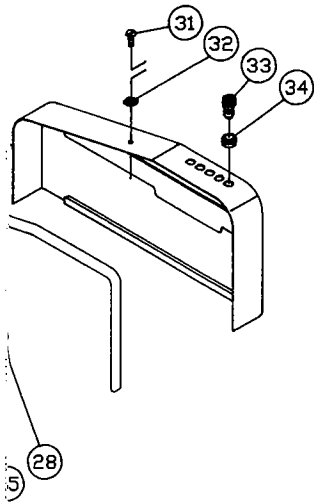
8545 Kapp Dr., Peosta, IA 52068
319-556-7484 / Fax 319-556-1235



CW-3004-3MGB & CW-3004-3MGH PARTS LISTING

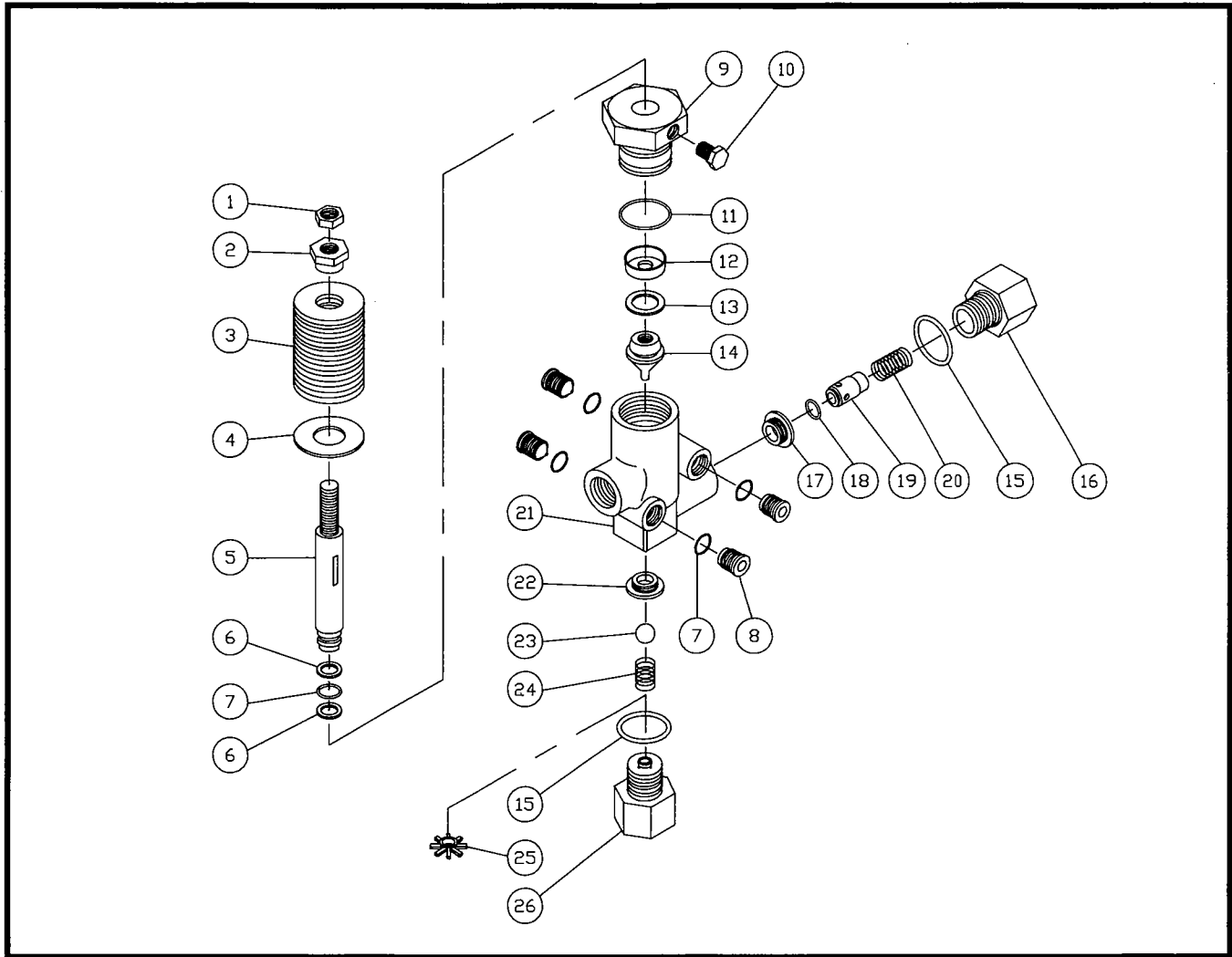


CW-3004-3MGB/3MGH FRAME ASSEMBLY PARTS LISTING



Ref. No.	Description	Part No.
1.	Base plate assembly.....	851-0210
2.	Base plate.....	5-0078
3.	Front handle.....	7-0101
4.	Washer.....	28-0003
5.	Locknut.....	30-0157
6.	Bolt.....	27-0068
7.	Isolator.....	14-0008
8.	Underbracket.....	13-0042
9.	Screw.....	27-3062
10.	Wand holder.....	62-0085
11.	Roll pin.....	43-0002
12.	Washer.....	28-0008
13.	Hub cap.....	33-0018
14.	Axle.....	20-0008
15.	Wheel.....	14-0006
16.	Bolt.....	27-0067
17.	Rear handle.....	7-0104
18.	Bolt-Briggs.....	27-0071
19.	Bolt-Honda.....	27-0070
20.	Shim-Honda only.....	33-0169
21.	Engine-Briggs.....	1-0005
	Engine-Honda.....	1-0039
22.	Key.....	43-0078
23.	Beltguard back assembly.....	851-0215
24.	Slip-on receptacle.....	33-0198
25.	Sheave.....	10-0029
26.	Belt.....	11-0036
27.	Bushing.....	9-0005
28.	Bolt.....	27-0015
29.	Edging.....	33-0020
30.	Beltguard cover.....	851-0216
31.	Slotted stud.....	33-0197
32.	Half grommet.....	33-0199
33.	Nozzles.....	18-0028, 18-0029, 18-0030, 18-0031
34.	Grommet.....	33-0001
35.	Bushing.....	9-0017
36.	Sheave.....	10-0040
37.	Key-pump.....	43-0028
38.	Pump.....	3-0079
39.	Locknut.....	30-0161
40.	Washer.....	28-0030
41.	Pump bracket.....	5-0101
42.	Washer.....	29-0055
43.	Bolt.....	27-8471
44.	Bolt.....	27-0118
45.	Brace tightener.....	13-0003
46.	Bolt.....	27-0166
47.	Locknut.....	30-0159
48.	Washer.....	28-0023
49.	Bolt.....	27-0576
50.	Hose.....	15-0024
51.	Elbow.....	24-0105
52.	By-pass hose.....	15-0035
53.	Hose barb.....	23-0007
54.	Pressure gauge.....	22-0107
55.	Bolt.....	27-0116
56.	Washer.....	29-0008
57.	Manifold block.....	51-0012
58.	Hex nipple.....	24-0031
59.	O-ring.....	25-0123
60.	Quick connect socket.....	17-0029
61.	Unloader.....	8-0032
62.	Heat dump valve.....	22-0005
63.	Tee-street.....	23-0124
64.	Tee-all female.....	23-0043
65.	Hex nipple.....	23-0012
66.	Strainer complete.....	19-0057
67.	Strainer cap.....	19-0058
68.	Strainer gasket.....	26-0160
69.	Stainless steel screen.....	19-0059
70.	Strainer bowl.....	19-0060
71.	Garden hose swivel.....	23-0095
72.	Garden hose gasket.....	26-0001

UNLOADER ASSEMBLY (8-0032) EXPLODED VIEW

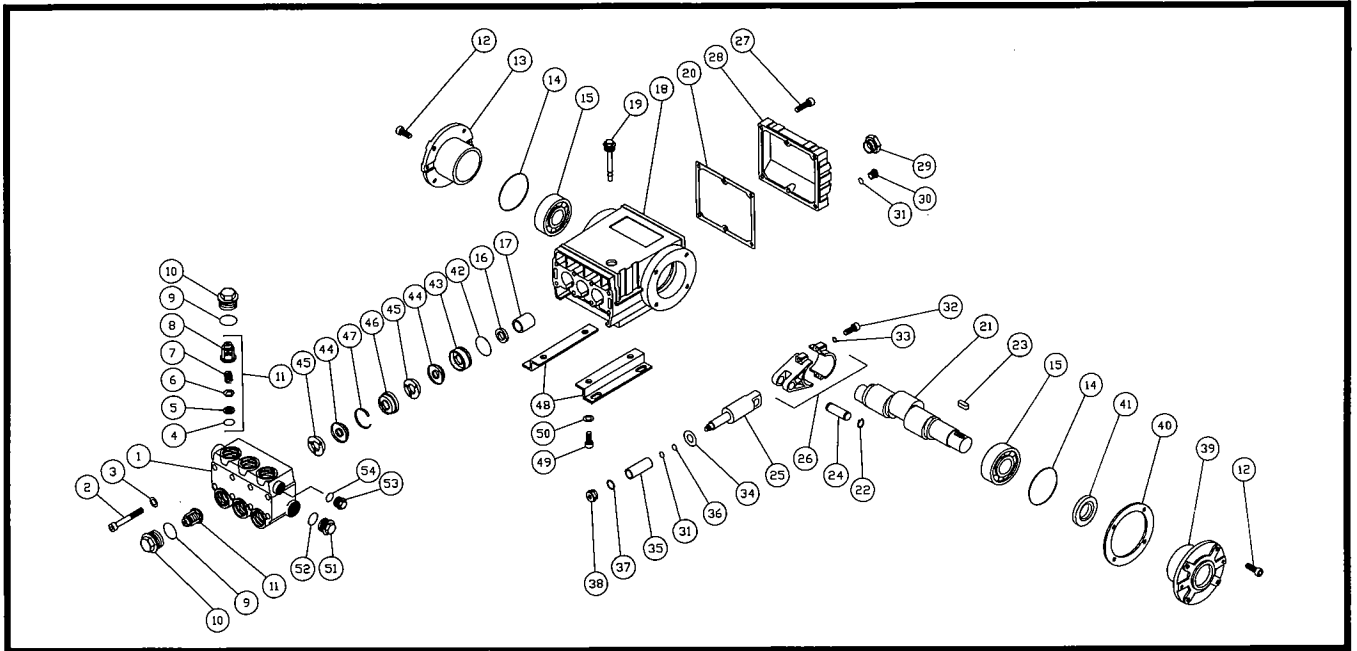


For Unloader Part Nos.: 8-0032 (orange springs), *901-3 (orange springs)

UNLOADER ASSEMBLY (8-0032) PARTS LISTING

Ref. No.	Description	Part No.	Ref. No.	Description	Part No.
1	Locking nut.....	30-3058	17	Outlet valve seat.....	8-0006
2	Adjusting nut.....	8-0089	18	O-ring	25-0011
3	Orange spring washer.....	8-0009	19	Outlet valve	8-0004
4	Washer	28-0250	20	Spring.....	49-0016
5	Valve stem	8-0037	21	Valve body (For unloader with item 25) ..	8-0035
6	Back-up ring	8-0038		Valve body (For unloader with item 26) ..	8-0164
7	O-ring.....	25-0009	22	Inlet valve seat.....	8-0005
8	1/4" brass plug.....	8-0011	23	Ball.....	8-0041
9	Valve cap	8-0036	24	Spring.....	49-0015
10	Set screw	8-0084	26	Inlet valve retainer (Old style).....	8-0002
11	Valve cap o-ring.....	25-0008	26	Inlet valve retainer (New style)	8-0165
12	Piston cup.....	8-0034			
13	Back-up ring	8-0040			
14	Piston	8-0039			
15	O-ring.....	25-0010			
16	Outlet valve spring retainer	8-0003			
				Unloader valve seal kit (Includes 1 ea. items	
				11, 12, 13 & 18, 2 ea. items 6 & 15, and	
				5 ea. item 7).....	8-0092

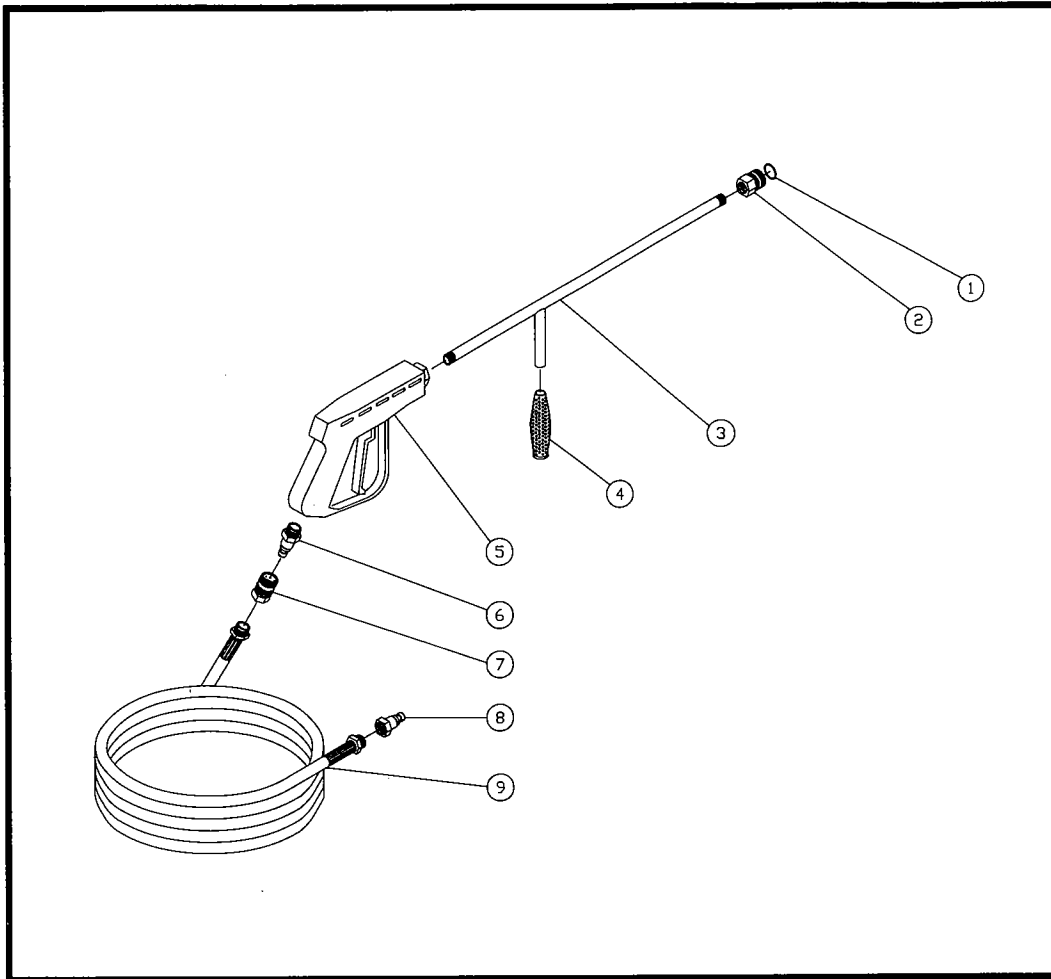
PUMP ASSEMBLY (3-0079) EXPLODED VIEW



PUMP ASSEMBLY (3-0079) PARTS LISTING

Ref. No.	Description	Part No.	Ref. No.	Description	Part No.
1	Pump head	46-0060	30	Cap	39-0017
2	Screw	27-8185	31	O-ring	25-0014
3	Washer	28-0210	32	Screw.....	27-8435
4			33	Washer	29-0154
5	(Not available separately. Must		34	Washer	46-0146
6	order complete Valve assembly		35	Plunger.....	46-0052
7	item 11, or Valve kit #852-0008.)		36	Anti-extrusion ring.....	46-0109
8			37	Washer	28-0400
9	O-ring	25-0012	38	Piston screw.....	46-0069
10	Cap.....	39-0020	39	Crankcase open cover	46-0062
11	Valve assembly (Includes items 4-8)	22-0056	40	Shim	46-0113
12	Screw	27-8431	41	Oil seal.....	26-0049
13	Crankcase closed cover	46-0063	42	O-ring	25-0015
14	O-ring	25-0013	43	Female adapter.....	46-0057
15	Tapered roller bearing.....	48-0004	44	V-packing	26-0098
16	Oil seal	26-0047	45	Head ring.....	46-0059
17	Bushing.....	9-0029	46	Intermediate ring.....	46-0067
18	Crankcase.....	46-0046	47	"Long life ring".....	46-0111
19	Oil dipstick	46-0144	48	Pump rails	46-0066
20	Cover gasket.....	26-0079	49	Screw.....	27-8471
21	Crankshaft.....	46-0050	50	Washer	29-0055
22	Retaining ring.....	46-0103	51	Cap	39-0019
23	Key	43-0028	52	Washer	28-0601
24	Piston pin	43-0032	53	Cap	39-0018
25	Piston rod	46-0056	54	Washer	28-0600
26	Connecting rod assembly.....	46-0051		Pump complete	3-0079
27	Screw	27-8404		Valve kit (Includes 6 ea. items 9 & 11).....	852-0008
28	Crankcase cover	46-0065		Packing kit (Includes 6 ea. items 44 & 45,	
29	Oil level indicator	46-0114		3 ea. items 42 & 47)	852-0010

HOSE/GUN/WAND ASSEMBLY EXPLODED VIEW



HOSE/GUN/WAND ASSEMBLY PARTS LISTING

Ref. No.	Description	Part No.
1	O-ring for 1/4 inch quick connect	25-0122
2	Quick connect socket (Includes item 1)	17-0001
3	3 foot wand with handle (Includes item 4).....	851-0096
4	Rubber grip for wand.....	7-0002
5	Trigger gun, (0-4000 PSI rated)	16-0001
6	Quick connect plug	17-0005
7	Quick connect socket	17-0004
8	Quick connect plug	17-0006
9	50 foot high pressure hose	
	(For units under 2500 PSI)	15-0003
	(For units over 2500 PSI).....	15-0004
Hose assembly complete (Includes items 7-9)		
	(For units under 2500 PSI)	851-0007
	(For units over 2500 PSI).....	851-0006
Hose, gun, wand assembly complete (Includes items 1-9)		
	(For units under 2500 PSI)	851-0098
	(For units over 2500 PSI).....	851-0097
Gun and wand assembly (All models) (Includes items 1-6)		
		851-0095
Gun repair kit		
		16-0059